

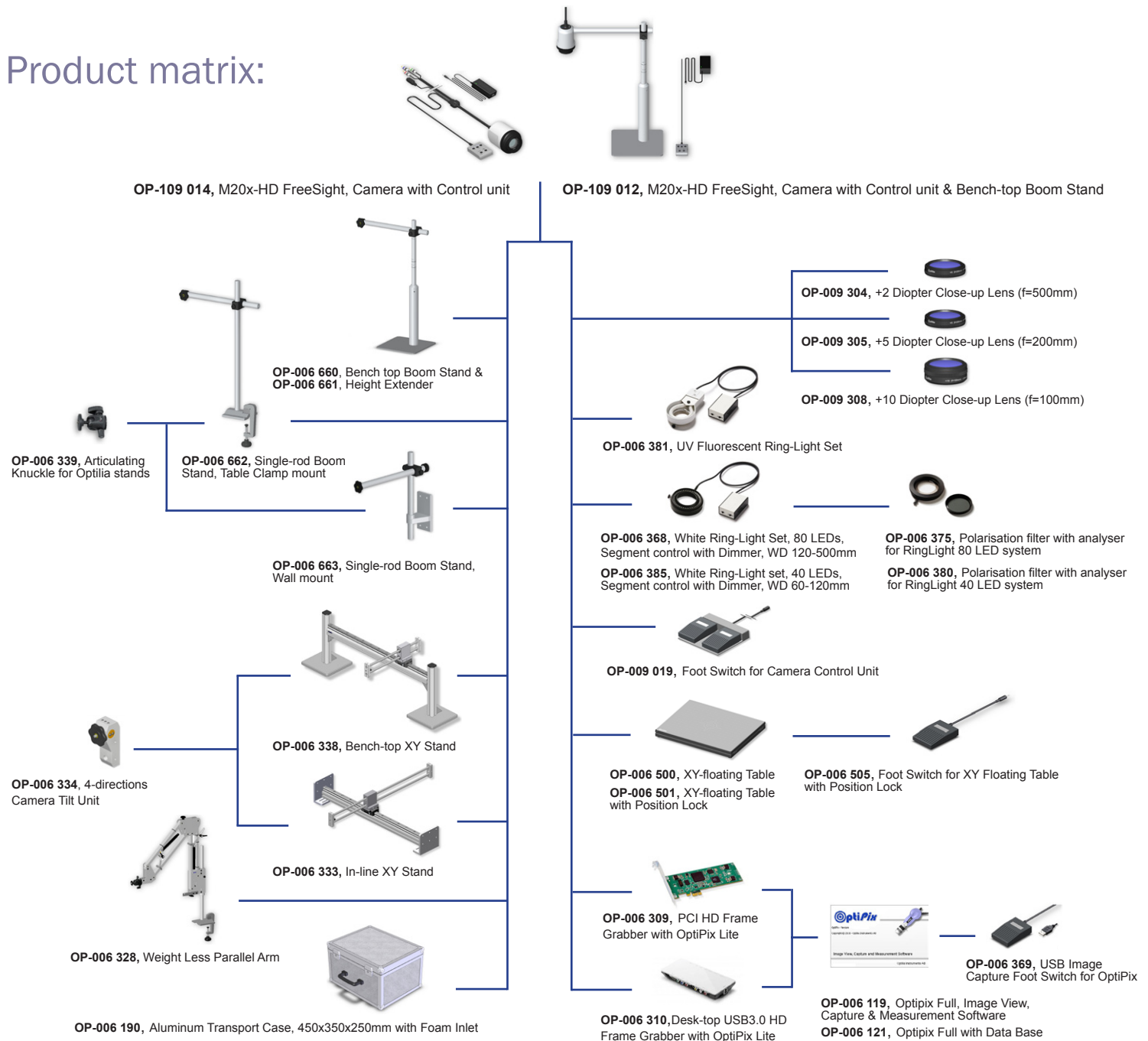
# M20x-HD *FreeSight*

High Definition 720p Inspection Camera with extended 500mm Working Distance



Cost effective and ergonomic video inspection system producing bright pictures for fast and reliable optical inspection. The M20x FreeSight has a powerful 20x optical zoom, 350 to 500mm working distance range and a swift auto focus for clear examination of your object in 720p High Definition. An extensive range of lenses, illuminations, software, mounting and stand configurations allows for versatile installation in all working situations.

## Product matrix:



# Technical specification:

Image Sensor ○ 1/4" CMOS, ~ 1.4 mega pixels

Picture Quality ○ HD 720p (1280x720)

Output Signal ○ 720p/60, 720p/50

Optics ○ 20x optical zoom with auto focus, F1.4 (F3.4 at 20x) to F14

Working Distance (w/o Close-up) ○ ~ 350 - 500 mm

Working Distance with +2 Close-up ○ ~ 210 - 245 mm

Working Distance with +5 Close-up ○ ~ 125 - 140 mm

Working Distance with +10 Close-up ○ ~ 73 - 80 mm

Field of View at 1x zoom ○ ~ 500 x 280 mm (~ 1.5x magnification on 32" monitor)

Field of View at 10x zoom ○ ~ 42 x 23.6 mm (~ 15x magnification on 32" monitor)

Field of View at 20x zoom ○ ~ 21 x 11.8 mm (~ 30x magnification on 32" monitor)

Field of View at 20x zoom +2 Close-up ○ ~ 11 x 6.2 mm (~ 60x magnification on 32" monitor)

Field of View at 20x zoom +5 Close-up ○ ~ 6.7 x 3.8 mm (~ 100x magnification on 32" monitor)

Field of View at 20x zoom +10 Close-up ○ ~ 3.7 x 2.1 mm (~ 190x magnification on 32" monitor)

Camera Control ○ Aluminum housing Control unit with function buttons

Adjustable parameters ○ Optical zoom, brightness, focus, picture freeze, zoom factor display, setup Save & Recall

Inputs ○ DC in (5-pin MiniDin)

outputs ○ HD Component Y/Pb/Pr Video out (3xRCA), External foot pedal (stereo jack)

Storage Environment ○ -20° - +60 °C, 20 - 95% RH, non-condensing

Operating Environment ○ -5 ° - +60 °C, 20 - 95% RH, non-condensing

Power Requirement ○ 12.0 VDC, 4.0 W max

Weight of camera ○ 710 g. max (without control unit). 970 g. max (with control unit)

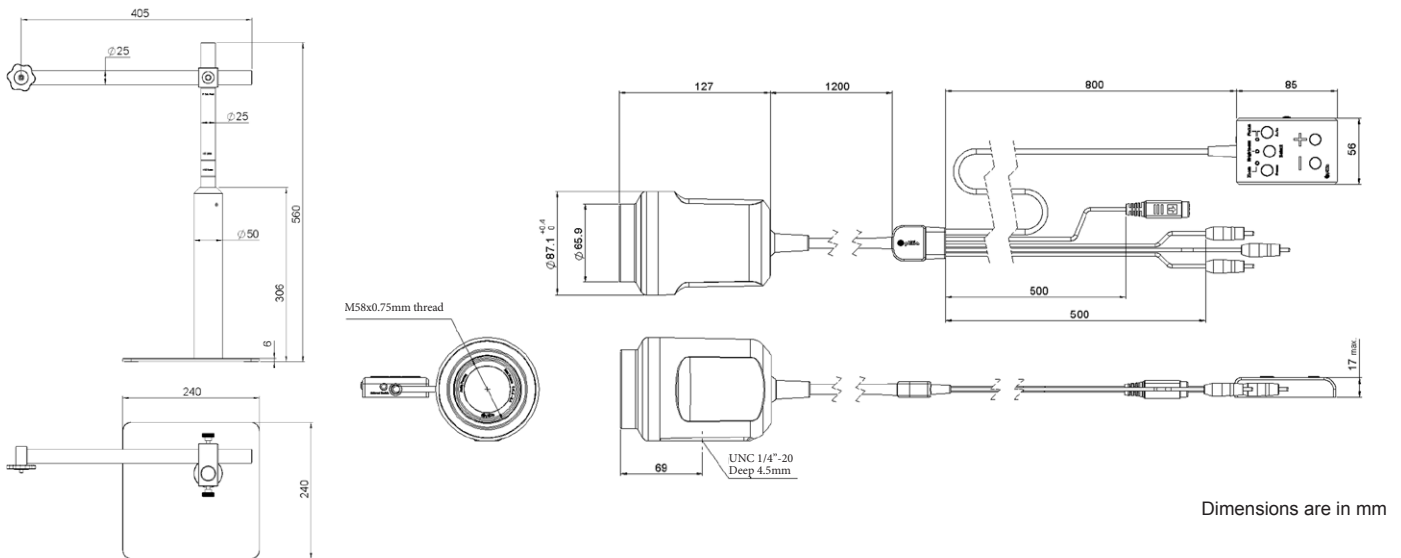
Weight of Bench-top Stand with height extender ○ 3400 g. max

Model options ○ M20x-HD FreeSight (Standard)

M20x-HDE FreeSight (ESD-protected)

M20x-HDM FreeSight (Medical housing)

## Dimensions:



Bench-top Stand with Height extender

Dimensions are in mm



Optilia Instruments AB  
Djupdalsvägen 22, SE-192 51 Sollentuna, Sweden.

Phone: +46 8 35 33 60

Email: [info@optilia.eu](mailto:info@optilia.eu)

Web: [www.optilia.eu](http://www.optilia.eu)

Reseller:



# Product matrix

# Optilia HD Inspection Systems

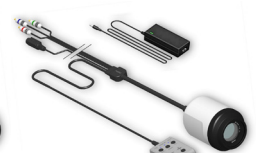
**OP-209 010**, W30x HD

**OP-209 015**, W30x FreeSight

**OP-009 010**, W10x HD

**OP-109 013**, M20x EasyView

**OP-109 014**, M20x FreeSight



**OP-009 020**, Camera Control Unit  
**OP-009 220**, Camera Control Unit with Double Save/Recall, Cross-line and Zoom Display

**OP-009 019**, Foot Switch for Camera Control Unit

**OP-006 660**, Single-rod Boom Stand

**OP-006 199**, Double-rod Boom Stand

**OP-006 599**, 90 deg. Camera Adapter for Boom Stand

**OP-006 500**, XY-floating Table  
**OP-006 501**, XY-floating Table with Position Lock

**OP-006 505**, Foot Switch for XY Floating Table with Position Lock

**OP-006 663**, Single-rod Boom Stand, Wall mount

**OP-006 338**, Bench-top XY Stand

**OP-006 334**, 4-directions Camera Tilt Unit

**OP-006 502**, All angles Tilt Table, Antistatic  
**OP-006 702**, All angles Tilt Table with electromagnetic position lock, Antistatic

**OP-006 662**, Single-rod Boom Stand, Table Clamp mount

**OP-006 333**, In-line XY Stand

**OP-006 109**, Precision large-area XY-board ESD protected

**OP-006 660**, Bench top Boom Stand & **OP-006 661**, Height Extender

**OP-006 201**, Focusing stand for HD cameras

**OP-006 328**, Weight Less Parallel Arm

**OP-009 080**, SD-CAP Full HD SD-card Image Capture Device  
**OP-009 081**, SD-CAP Full HD with Digital Graticule

**OP-006 401**, Foot Switch for Image Capture Device

**OP-006 400**, Digital Graticule (custom designed)

**OP-009 304**, +2 Diopter Close-up Lens (f=500mm)

**OP-006 375**, Polarization filter with analyzer for RingLight 80 LED system

**OP-006 368**, White Ring-Light Set, 80 LEDs, Segment control with Dimmer, WD 120-500mm

**OP-006 370**, Bright Field transmitted LED illumination kit

**OP-006 700** HD Component to HDMI converter

**OP-009 305**, +5 Diopter Close-up Lens (f=200mm)

**OP-006 376**, Diffuser for Ring-Light 80 LED system

**OP-006 387**, Bright Field Polarized transmitted LED illumination kit with rotatable analyser

**OP-006 310**, Desk-top USB3.0 HD Frame Grabber with OptiPix Lite

**OP-009 308**, +10 Diopter Close-up Lens (f=100mm)

**OP-006 380**, Polarisation filter with analyzer for RingLight 40 LED system

**OP-006 385**, White Ring-Light set, 40 LEDs, Segment control with Dimmer, WD 60-120mm

**OP-006 378**, Double-arm Spot-light incl. Segmental control unit and power supply

**OP-006 309**, PCI HD Frame Grabber with OptiPix Lite

**OP-006 608**, Polarizer, Linear, 58mm

**OP-006 383**, Diffuser for RingLight 40 LED system

**OP-006 381**, UV Fluorescent Ring-Light Set

**OP-006 388**, Dark Filed transmitted LED illumination kit

**OP-006 190**, Aluminum Transport Case, 450x350x250mm with Foam Inlay  
**OP-009 335**, Aluminum Transport Box 600x400x410mm with Foam Inlay

**OP-006 119**, Optipix Full  
**OP-006 121**, Optipix Full with Data Base

**OP-006 369**, USB Image Capture Foot Switch for OptiPix